

AVK GATE VALVE WITH PIN INDICATOR

To DIN 3352 part 4
 Test to DIN 3230 part 4
 Flanges and drilling to ISO 7005-2 (EN 1092-2: 1997, DIN 2501)

Use:

For water, sewage and neutral liquids
 PN 10 or PN 16
 Max. 70°C

Types:

06-xxx-55 Short overall length
 to DIN 3202 part 1, F4
 Materials: Body and bon-
 net: Grey cast iron, GG-25,
 to DIN 1691
 (BS 1452 grade 220/250)

06-xxx-35 Short overall length
 to DIN 3202 part 1, F4
 Materials: Body and bon-
 net: Ductile iron, GGG-50,
 to DIN 1693
 (BS 2789 grade 500 - 7)

02-xxx-66 Long overall length
 to DIN 3202 part 1, F5
 Materials: Body and bon-
 net: Ductile iron, GGG-50,
 to DIN 1693
 (BS 2789 grade 500 - 7)

XXX: DN

Optional extras:

Micro-switch kit for open or closed
 position

Materials:

Body and bonnet	See the different "Types" to the left
Handwheel	Grey cast iron, GG-25, to DIN 1691 (BS 1452 grade 220/250)
Pin	Stainless steel, DIN X 12 CrNiS 18.8
Indicator nut	Dezincification resistant brass, CuZn 39 Pb 3
Coating	Electrostatically applied epoxy resin to DIN 30677- Internally and externally
Stem	Stainless steel, DIN X 20 Cr 13
Stem sealing	NBR wiper ring, plastic bearing with 2 NBR O-rings internally and 2 externally, EPDM rubber manchette
Wedge	Ductile iron, GGG-50, core fully vulcanised with EPDM rubber, with integral wedge nut of dezincification resistant brass, CZ 132 to BS 2874
Thrust collar	Dezincification resistant brass, CZ 132 to BS 2872
Bonnet bolts	Stainless steel A2, sealed with hot melt
Bonnet gasket	EPDM rubber

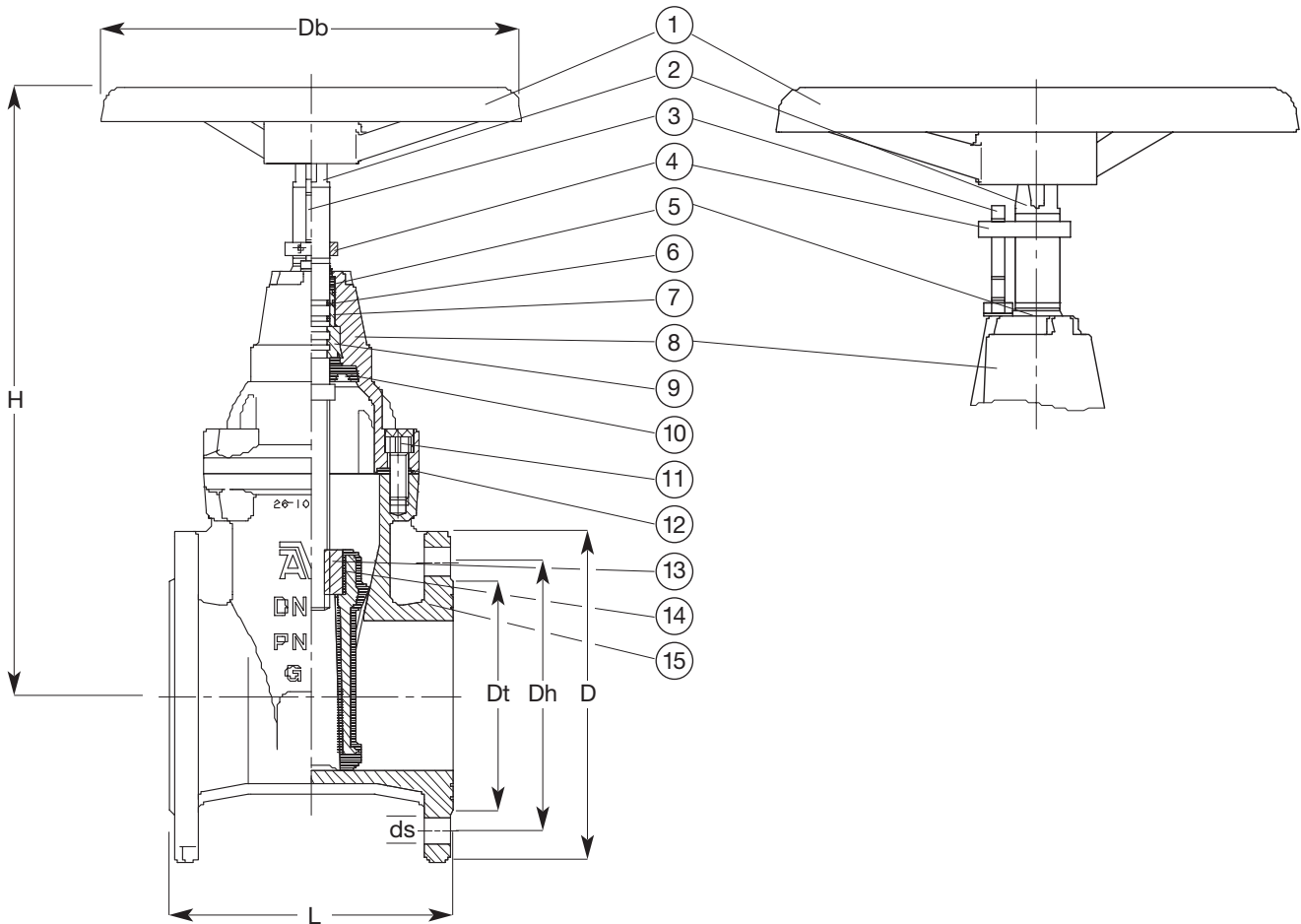


AVK GATE VALVE WITH PIN INDICATOR

To DIN 3352 part 4
 Test to DIN 3230 part 4
 Flanges and drilling to ISO 7005-2 (EN 1092-2: 1997, DIN 2501)

Component list

- | | |
|--------------------|--------------------------|
| 1. Handwheel | 9. Thrust collar |
| 2. Stem | 10. EPDMrubber manchette |
| 3. Pin | 11. Bonnet bolts |
| 4. Indicator nut | 12. Bonnet gasket |
| 5. NBR Wiper ring | 13. Wedge nut |
| 6. NBR O-ring | 14. Wedge |
| 7. Plastic bearing | 15. Body |
| 8. Bonnet | |



DN mm	06-xxx-55 06-xxx-35		02-xxx-66 L mm	H mm	Db mm	Dt mm	D mm	Dh mm		ds mm		Holes		06-xxx-55 06-xxx-35 Weight kilos	02-xxx-66 Weight kilos
	L mm							PN 10	PN 16	PN 10	PN 16	PN 10	PN 16	Weight kilos	Weight kilos
40	140		240	329	180	83	150	110		18		4		11.5	12.5
50	150		250	329	180	102	165	125		18		4		12.5	13.5
65	170		270	355	225	122	185	145		18		4		16.0	17.0
80	180		280	382	225	138	200	160		18		8		20.0	21.0
100	190		300	414	280	158	220	180		18		8		26.5	28.5
125*)	200		325	461	320	188	250	210		18		8		35.5	37.5
150	210		350	540	320	212	285	240		22		8		50.5	53.5
200	230		400	688	360	268	340	295	295	22	22	8	12	71.0	76.0
250	250		450	780	500	320	400	350	355	22	26	12	12	113.0	121.0
300	270		500	855	500	370	455	400	410	22	26	12	12	160.0	171.0

XXX: DN *) Not available for series 06-xxx-55