

Screw-down type with Storz-coupling
Manual or automatic drainage
Telescopic adjustable in height and 360° revolving outlet
Flange and drilling to ISO 7005-2 (EN 1092-2: 1997, DIN 2501)

Use:

For water and neutral liquids to max. 20°C

Tests:

Hydraulic test to DIN 3230 part 4:

Seat : PN
 Body: 1.5 x PN

Optional extras:

Combi-flanges

Approvals:

Danish Fire Inspection

Materials:

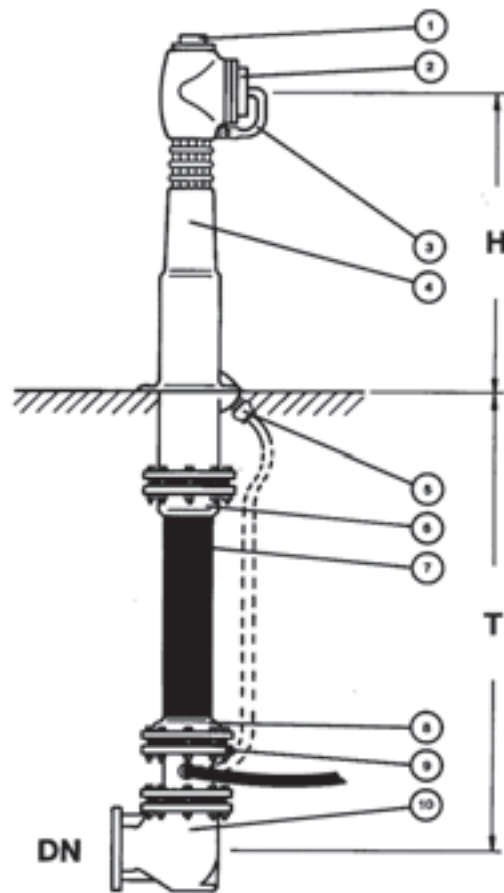
Hydrant	Aluminium casting with polyester coating, red RAL 3000
Key operating nut	Zinc coated grey cast iron, GG-25
Foot bend and valve body	Grey cast iron, GG-25, with electrostatically applied epoxy resin to DIN 30677 - Internally and externally
Stem and disc	Stainless steel
Disc sealing	SBR rubber
Pipe	PE 80
Storz-coupling	Aluminium
Tensile coupling	Brass
Flange adaptor	Ductile iron, GGG-50 with SBR rubber sealing and tensile ring of acetal plastic
Bracket	Stainless steel A2



Screw-down type with Storz-coupling
 Manual or automatic drainage
 Telescopic adjustable in height and 360° revolving outlet
 Flange and drilling to ISO 7005-2 (EN 1092-2: 1997, DIN 2501)

Component list

- | | |
|----------------------|-------------------|
| 1. Key operation nut | 6. Flange adaptor |
| 2. Storz-coupling | 7. Pipe |
| 3. Bracket | 8. Flange adaptor |
| 4. Hydrant | 9. Valve body |
| 5. Isiflo coupling | 10. Foot bend |



Automatic drainage	Ref. nos.		DN	Type	T mm min - max	H mm	Storz	Weight kilos
	Automatic drainage	Manual drainage						
09-100-5020	09-100-5030		100	A	1050-1550	750	A - 4"	83