

Gate-valve operated
Above ground outlet through two Storz-Hosecoupling, automatic drainage
Telescopic adjustable in height and 360° revolving outlet
Flange and drilling to ISO 7005-2 (EN 1092-2: 1997, DIN 2501)

Use:

For water and neutral liquids to max. 20°C

Tests:

Hydraulic test to DIN 3230 part 4: 1.5 x PN

Optional extras:

Gate valve

Materials:

Foot bend	Grey cast iron GG-25 to DIN 1691 (BS 1452 grade 220/250)
Hydrant	Levasint coated aluminium casting
Coating on foot	Electrostatically applied epoxy resin to DIN 30677 - Internally and externally
Stand pipe	PE-PN 10
Stortz-hose-coupling	Aluminium
Tensile coupling	PE
Flange adaptor	Ductile iron, GGG-50, to DIN 1693 (BS 2789 grade 500 - 7) with tensile sealing unit
Bracket	Stainless steel A2

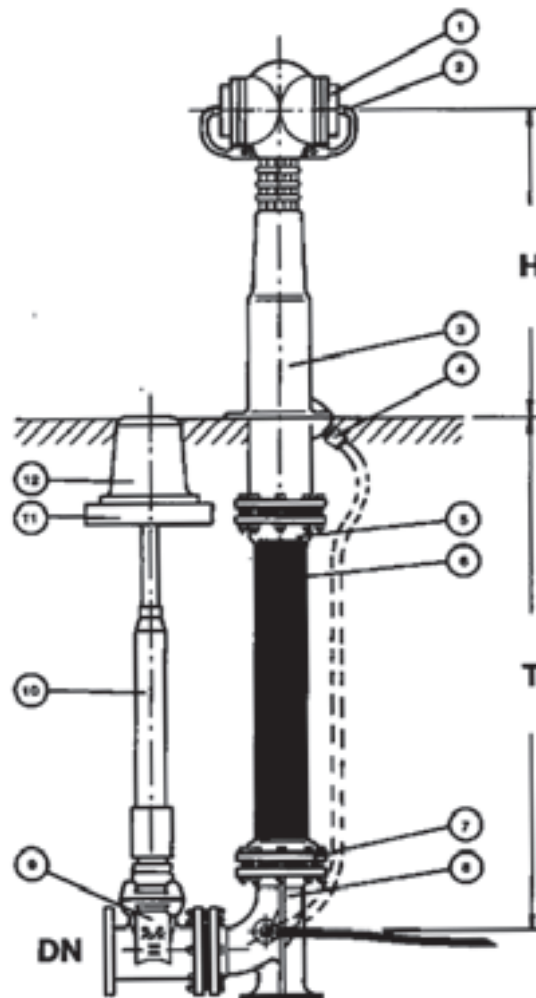


Gate-valve operated
 Above ground outlet through two Storz-Hosecoupling, automatic drainage
 Telescopic adjustable in height and 360° revolving outlet
 Flange and drilling to ISO 7005-2 (EN 1092-2: 1997, DIN 2501)

Component list

- | | |
|-----------------------|--------------------------|
| 1. Storz-hosecoupling | 8. Foot bend |
| 2. Bracket | 9. Gate valve *) |
| 3. Hydrant | 10. Extension spindle *) |
| 4. Tensile coupling | 11. Foundation *) |
| 5. Flange adaptor | 12. Street-cover *) |
| 6. Stand pipe | |
| 7. Flange adaptor | |

*) Has to be ordered separately



Ref. nos.	DN	T mm min-max	H mm	Storz	Weight kilos
09-100-90	100	800-1300	870	4"	55