

Screw-down type, with Storz-coupling
Manual or automatic drainage
Telescopic adjustable in height and 360° revolving outlet
Flange and drilling to ISO 7005-2 (EN 1092-2: 1997, DIN 2501)

Use:

For water and neutral liquids to max. 20°C

Tests:

Hydraulic test to DIN 3230 part 4:

Seat : PN
 Body: 1.5 x PN

Optional extras:

Traffic flange for automatic type
 Combi-flanges

Materials:

Key operating nut	Zinc coated grey cast iron, GG-25
Fastening nut	Zinc coated ductile iron, GGG-40
B-hydrant	09/30: Ductile iron, with UV resistant polyester, red RAL 3013 09/20: Aluminium, with UV resistant polyester, red RAL 3000
Isiflo coupling	Brass
Flange adaptor	Ductile iron, GGG-50, with SBR rubber sealing and tensile ring of acetal plastic
Pipe	PE 80
Foot bend and valve body	Grey cast iron, GG-25, with electrostatically applied epoxy resin to DIN 30677 - internally and externally
Stem and disc	Stainless steel
Disc sealing	SBR rubber



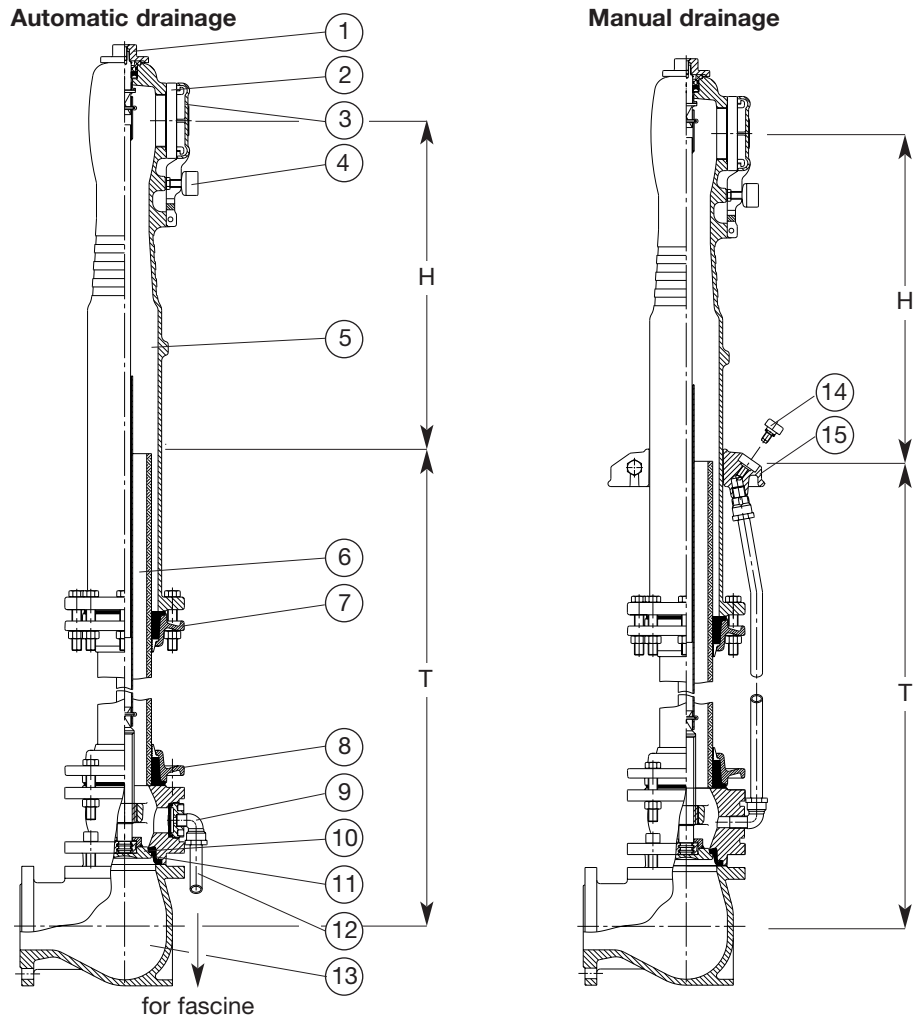
For further specification, see section "Technical information".
 The designs, materials and specifications shown are subject to change without notice due to our continuing programme of product development.



Screw-down type, with Storz-coupling
 Manual or automatic drainage
 Telescopic adjustable in height and 360° revolving outlet
 Flange and drilling to ISO 7005-2 (EN 1092-2: 1997, DIN 2501)

Component list

- | | |
|----------------------|---|
| 1. Key operating nut | 9. Isiflo coupling |
| 2. Storz-coupling | 10. Valve |
| 3. Cover | 11. Valve seat |
| 4. Fastening nut | 12. Pipe |
| 5. B-hydrant | 13. Foot bend |
| 6. Pipe | 14. Drainage plug |
| 7. Flange adaptor | 15. Adjustable traffic flange for manual drainage |
| 8. Flange adaptor | |



Cast iron		DN	Type	T mm min - max	H mm	Storz	Weight kilos	Red colour
Manual drainage	Automatic drainage							
AVK ref. no.	AVK ref. no.							
09-080-303027	09-080-301027	80	B	1050-1550	600	B - 3"	75	Ral 3013
Manual drainage with ball valve	Automatic drainage with ball valve							
AVK ref. no.	AVK ref. no.							
09-080-30302710	09-080-30102710	80	B	1050-1550	600	B - 3"	75	Ral 3013

Aluminium		DN	Type	T mm min - max	H mm	Storz	Weight kilos	Red colour
Manual drainage	Automatic drainage							
AVK ref. no.	AVK ref. no.							
09-080-203021	09-080-201021	80	B	1050-1550	600	B - 3"	60	Ral 3000
Manual drainage with ball valve	Automatic drainage with ball valve							
AVK ref. no.	AVK ref. no.							
09-080-20302110	09-080-20102110	80	B	1050-1550	600	B - 3"	60	Ral 3000