

To BS 750 type 2 - Compact model
 Screw-down type with screwed 2 1/2" round thread outlet
 Inlet flange to EN 1092-2: 1997 DN 80 (ISO 7005-2, DIN 2501)
 Universally drilled PN 10/16 and to BS10 Table D/E - PN 10/16

Use:

For water and neutral liquids to max. 70°C
 Insulation essential for installations subject to temperatures of 0°C and lower.

Tests:

Hydraulic test to BS 750:
 Seat: 1.1 x PN
 Body: 1.5 x PN

Optional extras:

Fixed or loose stopper
 Kite mark approval
 Auto frost valve
 Various outlets
 Outlet lock

Approvals:

WBS LISTED
 Kite mark (388 version)

Materials:

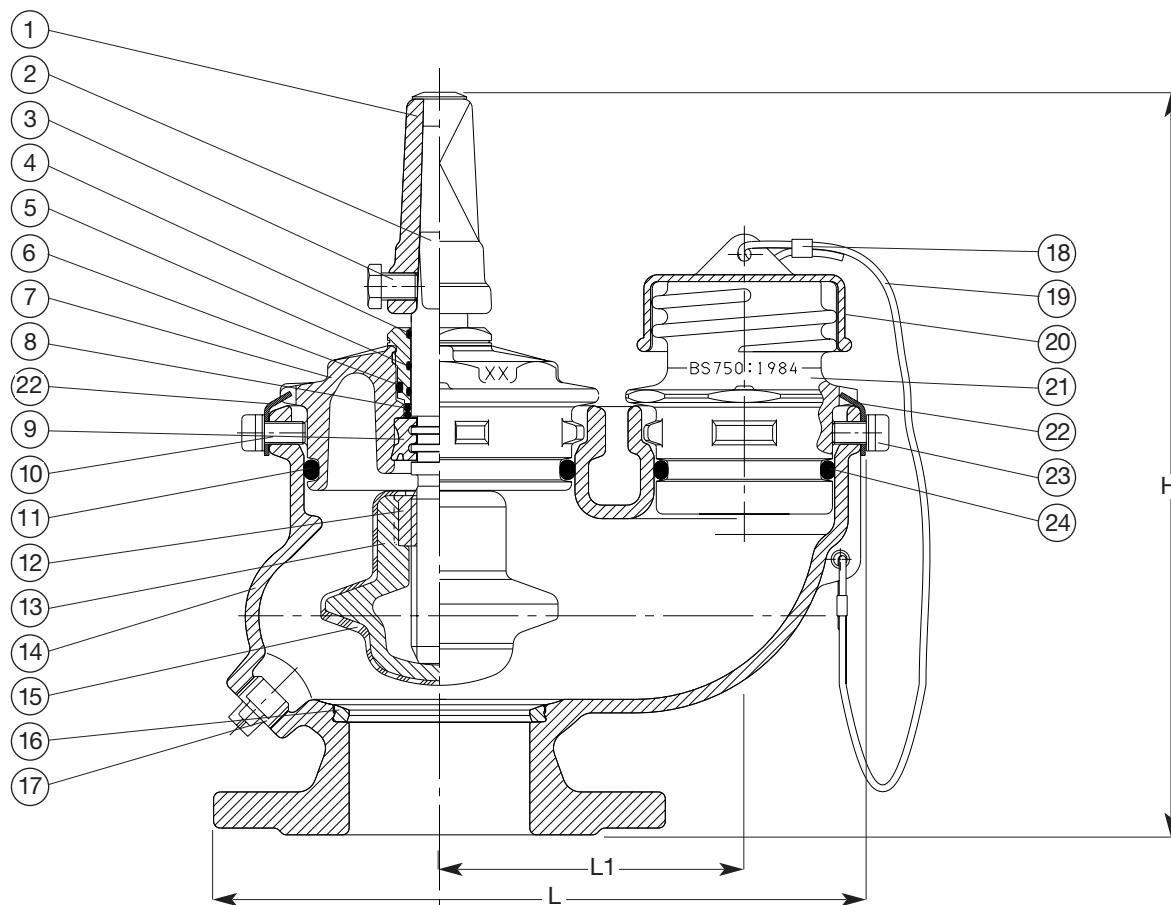
Body, bonnet, stopper	Ductile iron, GGG-50, to DIN 1693 (BS 2789 grade 500 - 7)
Coating	Electrostatically applied epoxy resin to DIN 30677 - internally and externally
Stem cap	Cast iron, GG-25, to DIN 1691 (BS 1452 grade 220/250)
Stem	Stainless steel X 20 Cr 13 388 version: Stainless steel BS 970 Gr 431 S29
Stem sealing	High tensile brass, CZ 132 to BS 2874
O-rings	NBR rubber
Stopper rubber	EPDM rubber
Bolts	Zinc-coated steel 8.8
Safety device	Stainless steel
Thrust collar, stopper nut	Dezincification resistant brass CZ 132 to BS 2872
Screwed outlet	Gunmetal BS 1400 LG2 - C or nylon
Body seat ring	Gunmetal BS 1400 LG2 - C
Dust cap	PE for screwed outlet
Drain plug	Nylon



To BS 750 type 2 - Compact model
 Screw-down type with screwed 2 1/2" round thread outlet
 Inlet flange to EN 1092-2: 1997 DN 80 (ISO 7005-2, DIN 2501)
 Universally drilled PN 10/16 and to BS10 Table D/E - PN 10/16

Component list

- | | |
|--------------------|--------------------|
| 1. Stem cap | 13. Fixed stopper |
| 2. Stem | 14. Body |
| 3. Bolt | 15. Vulcanizing |
| 4. O-ring | 16. Body seat ring |
| 5. Stem seal box | 17. Drain plug |
| 6. O-ring | 18. Wire crimp |
| 7. Bonnet | 19. Wire |
| 8. O-ring | 20. Dust cap |
| 9. Thrust collar | 21. Outlet |
| 10. Caphead screw | 22. Safety devices |
| 11. O-ring | 23. Capshead screw |
| 12. Fixed stem nut | 24. O-ring |



Frost drain plug	Ref.nos. Frost automatic valve	DN	L	H	L1	Weight kilos
19-088-01X01	19-088-31X01	80	287	330	135	17

X: 0 = Fixed stopper
 1 = Loose stopper

19/288: Standard
 19/388: Kite Mark approval

To BS 750 type 2 - Streamlined model
 Screw-down type with screwed 2 1/2" round thread outlet
 Inlet flange to EN 1092-2: 1997 DN 80 (ISO 7005-2, DIN 2501)
 Universally drilled PN 10/16 and to BS10 Table D/E - PN 10/16

Use:

For water and neutral liquids to max. 70°C
 Insulation essential for installations subject to temperatures of 0°C and lower.

Tests:

Hydraulic test to BS 750:
 Seat: 1.1 x PN
 Body: 1.5 x PN

Optional extras:

Fixed or loose stopper
 Kite mark approval
 Auto frost valve
 Various outlets
 Outlet lock

Approvals:

WBS LISTED
 Kite mark (389 version)

Materials:

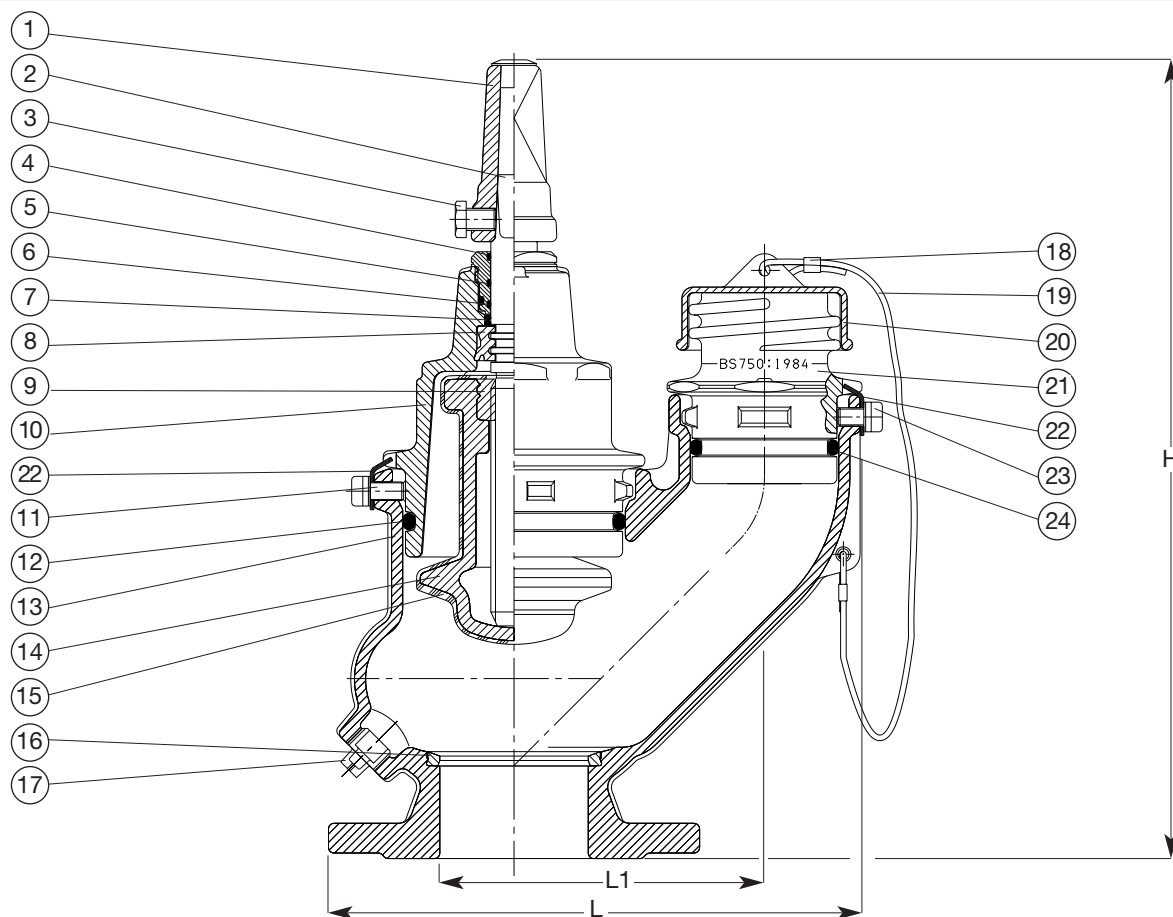
Body, bonnet, stopper	Ductile iron, GGG-50, to DIN 1693 (BS 2789 grade 500 - 7)
Coating	Electrostatically applied epoxy resin to DIN 30677 - internally and externally
Stem cap	Cast iron, GG-25, to DIN 1691 (BS 1452 grade 220/250)
Stem	Stainless steel X 20 Cr 13 389 version: Stainless steel BS 970 Gr 431 S29
Stem sealing	High tensile brass, CZ 132 to BS 2874
O-rings	NBR rubber
Stopper rubber	EPDM rubber
Bolts	Zinc-coated steel 8.8
Safety device	Stainless steel
Thrust collar, stopper nut	Dezincification resistant brass CZ 132 to BS 2872
Screwed outlet	Gunmetal BS 1400 LG2 - C or nylon
Body seat ring	Gunmetal BS 1400 LG2 - C
Dust cap	PE for screwed outlet
Drain plug	Nylon



To BS 750 type 2 - Streamlined model
 Screw-down type with screwed 2 1/2" round thread outlet
 Inlet flange to EN 1092-2: 1997 DN 80 (ISO 7005-2, DIN 2501)
 Universally drilled PN 10/16 and to BS10 Table D/E - PN 10/16

Component list

- | | |
|-------------------|--------------------|
| 1. Stem cap | 13. Body |
| 2. Stem | 14. Fixed stopper |
| 3. Bolt | 15. Vulcanizing |
| 4. O-ring | 16. Body seat ring |
| 5. Stem seal box | 17. Drain plug |
| 6. O-ring | 18. Wire crimp |
| 7. O-ring | 19. Wire |
| 8. Thrust collar | 20. Dust cap |
| 9. Fixed stem nut | 21. Outlet |
| 10. Bonnet | 22. Safety devices |
| 11. Caphead screw | 23. Caphead screw |
| 12. O-ring | 24. O-ring |



Frost drain plug	Ref.nos. Frost automatic valve	DN	L	H	L1	Weight kilos
19-089-01001	19-089-31001	80	287	444	135	18

19/289: Standard
 19/389: Kite Mark approval