

To DIN 3537 and DIN 3230 part 5  
 For fusion welded installation in PE-gas pipes at max. working pressure 4 bar, SDR 11  
 Stem sealing exchangeable under pressure

**Use:**

For gas to max. 20°C

**Tests:**

Valve: Hydraulic test to DIN 3230 part 4:  
 Seat: PN  
 Body: 1.5 x PN  
 Air test to DIN 3230 part 5: 1.1 x PN  
 Operating torque test  
 Pipe joints air test to: 1.5 x PN-pipes

**Optional extras:**

Handwheel  
 Extension spindle  
 Stem cap  
 Foundation

**Approvals:**

DVGW - VP 600  
 DVGW - G 89 e 056 to DN 50/63 mm.  
 DS 2199.1, 2 (No 1064A)

**Materials:**

Body and bonnet	Ductile iron, GGG-50, to DIN 1693 (BS 2789 grade 500 - 7)
Coating *)	Electrostatically applied epoxy resin to DIN 30677 - Internally and externally
Stem	Stainless steel, DIN X 20 Cr 13
Stem sealing	NBR wiper ring, 4 NBR O-rings, NBR rubber manchette
Stem seal nut	Dezincification resistant brass, CZ 132 to BS 2872
Wedge**)	Ductile iron, GGG-50, core fully encapsulated with NBR rubber with integral wedge nut of dezincification resistant brass, CZ 132 to BS 2874
Thrust collar	Dezincification resistant brass, CZ 132 to BS 2872
Bonnet bolts	Stainless steel A2, sealed with hot melt
Bonnet gasket	NBR rubber
Sleeves	St 52 to DIN 2448/1629
Shrink hose	Plastic to DIN 30672
Pipes	PE-gas pipes to B.G.C./PS/PL2 (DS 2131.2) DVGW G 477, to DIN 8074, 8075

\*) Also available with polyurethane tar externally

\*\*\*) 32-63 mm: Dezincification resistant brass, CZ 132 to BS 2872 vulcanized with NBR rubber



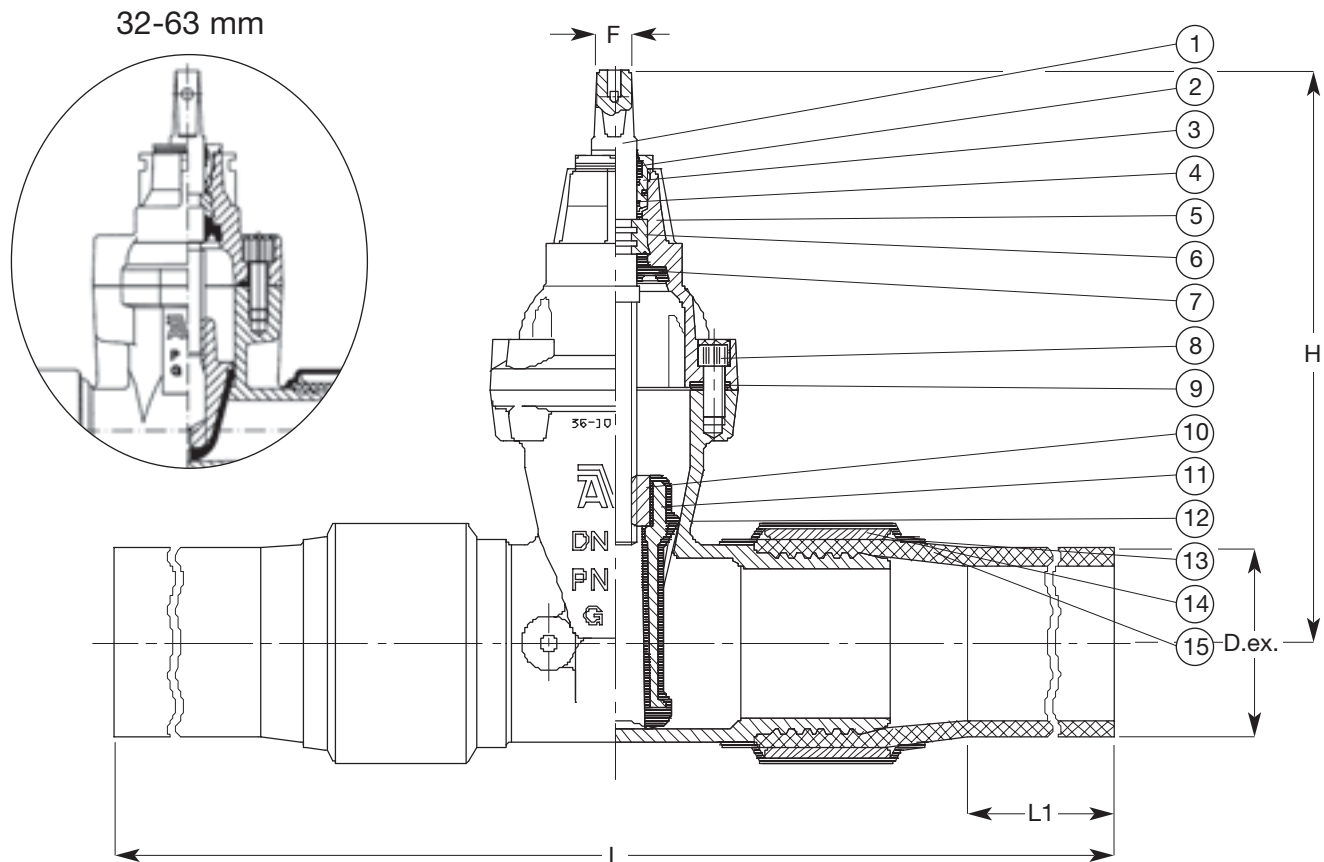
For further specification, see section "Technical information".  
 The designs, materials and specifications shown are subject to change without notice due to our continuing programme of product development.



To DIN 3537 and DIN 3230 part 5  
 For fusion welded installation in PE-gas pipes at max. working pressure 4 bar, SDR 11  
 Stem sealing exchangeable under pressure

**Component list**

- |                     |                  |
|---------------------|------------------|
| 1. Stem             | 9. Bonnet gasket |
| 2. Wiper ring       | 10. Wedge nut    |
| 3. Stem seal nut    | 11. Wedge        |
| 4. NBR O-ring       | 12. Body         |
| 5. Bonnet           | 13. Sleeve       |
| 6. Thrust collar    | 14. Shrink hose  |
| 7. Rubber manchette | 15. Pipe         |
| 8. Bonnet bolt      |                  |



Ref. nos.	DN	PE-pipe D.ex. mm	L mm	L1 mm	H mm	F mm	Weight kilos
36-032-90603	25	32	800	300	180	13	5.1
36-040-90603	32	40	850	300	190	13	5.5
36-050-90603	40	50	880	300	203	13	5.6
36-063-90603	50	63	860	300	213	13	7.1
36-090-90603	80	90	950	300	297	17	20.0
36-110-90603	100	110	975	300	334	19	27.0
36-125-90603	125	125	1100	300	376	19	39.0
36-160-90603	150	160	1100	300	448	19	52.0
36-180-90603	150	180	1100	300	448	19	58.0
36-200-90603	200	200	1120	300	562	24	88.0
36-225-90603	200	225	1200	300	562	24	91.0
36-250-90603	250	250	1262	300	664	27	118.0
36-280-90603	250	280	1262	300	664	27	126.0
36-315-90603	300	315	1334	300	740	27	140.0