

To DIN 3437 and DIN 3230
 For fusion welded installation in steel pipes to DIN 2470 part 2
 Stem sealing exchangeable under pressure

Use:

For gas to min. -20°C
 max. 50°C

Tests:

Test to DIN 3230 part 5:

Body: 0.5 bar air
 1.5 x PN water
 1.1 x PN air - (PG3)

Seat: 0.5 bar air
 1.1 x PN air - (PG3)

Operating torque test

Optional extras:

Handwheel
 Extension spindle
 Stem cap

Approvals:

DVGW

Materials:

Bonnet	Ductile iron, GGG-50, to DIN 1693 (BS 2789 grade 500 - 7)
Body	Cast steel, GS-C25N, to DIN 17245
Coating*)	Electrostatically applied epoxy resin to DIN 30677 - internally and externally
Stem	Stainless steel, DIN X 20 Cr 13
Stem sealing	NBR wiper ring, 4 NBR O-rings and NBR rubber manchette
Stem seal nut	Dezincification resistant brass, CZ 132 to BS 2874
Wedge	Ductile iron, GGG-50, core fully encapsulated with NBR rubber, with integral wedge nut of dezincification resistant brass, CZ 132 to BS 2874
Thrust collar	Dezincification resistant brass, CZ 132 to BS 2872
Bonnet bolts	Stainless steel A2 sealed with hot melt
Bonnet gasket	NBR rubber
Steel pipe ends	Steel 35.8 to DIN 17175

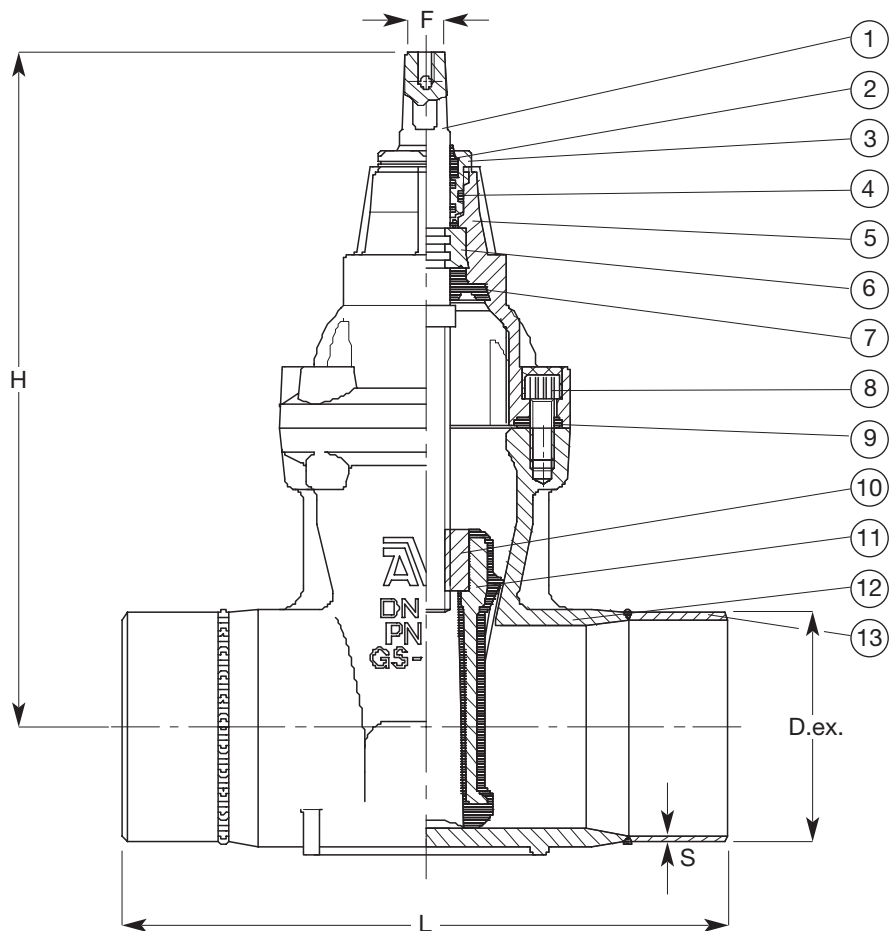
*) Also available with polyurethane tar externally



To DIN 3437 and DIN 3230
 For fusion welded installation in steel pipes to DIN 2470 part 2
 Stem sealing exchangeable under pressure

Component list

- | | |
|-------------------------|------------------|
| 1. Stem | 8. Bonnet bolt |
| 2. NBR wiper ring | 9. Bonnet gasket |
| 3. Stem seal nut | 10. Wedge nut |
| 4. O-ring | 11. Wedge |
| 5. Bonnet | 12. Body |
| 6. Thrust collar | 13. Pipe end |
| 7. NBR rubber manchette | |



Ref nos.	DN	Steel pipe D.ex.	Steel pipe S mm	L mm	H mm	F mm	Weight kilos
46-050-60012	50	60.3	2.9	250	241	14	8
46-080-60012	80	88.9	3.2	280	297	17	14
46-100-60012	100	114.3	3.6	300	334	19	25
46-150-60012	150	168.3	4.5	350	448	19	49
46-200-60012	200	219.1	6.3	400	562	24	70
46-250-60012	250	273.0	6.3	450	664	27	88
46-300-60012	300	323.9	7.1	500	740	27	128