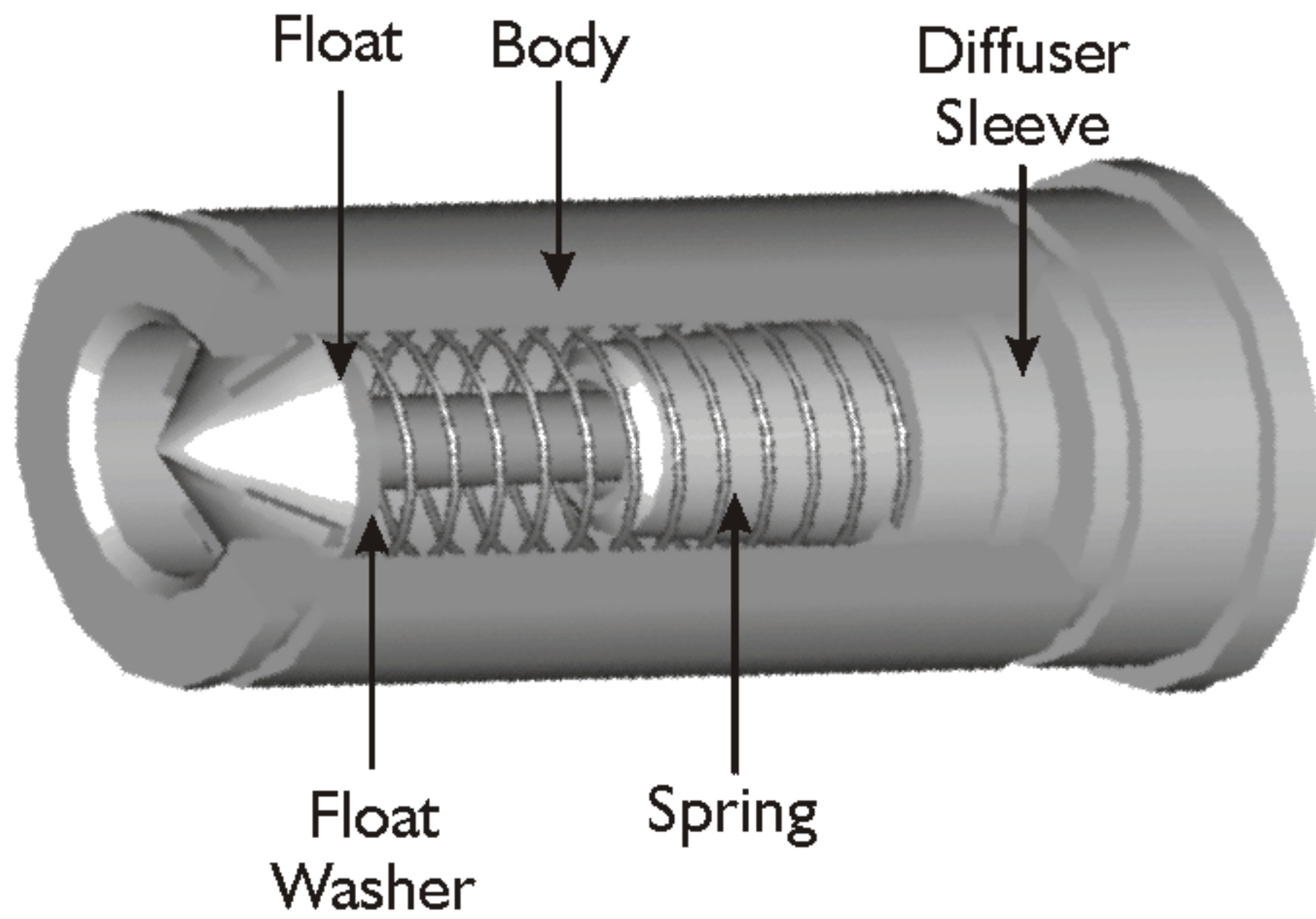


SPECIFICATIONS

SERIES 3 IOSL FLOW LIMITOR



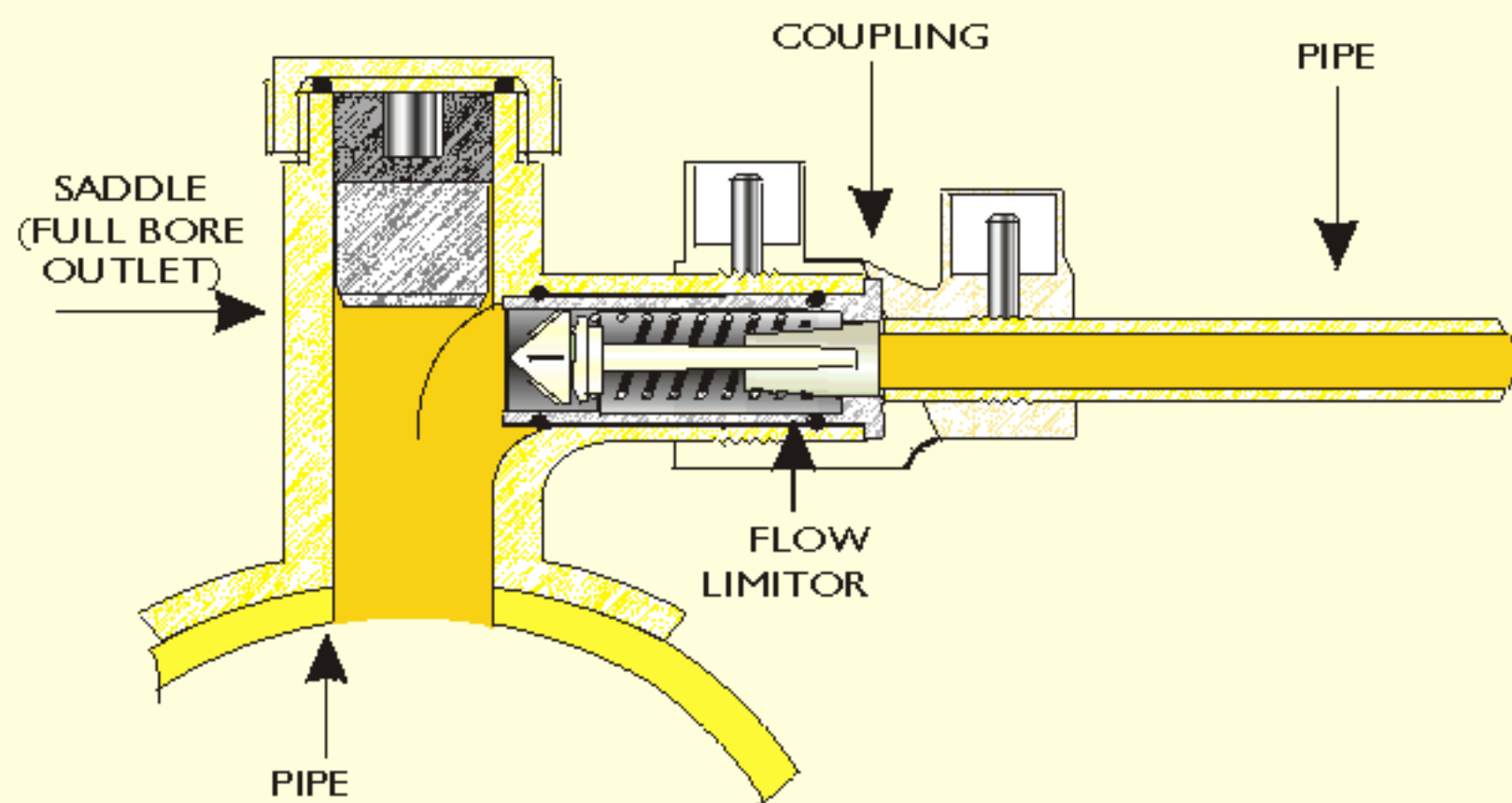
SERVICE CONDITIONS

Inlet Pressure	10 psig (0.69 barg) to 100 psig (6.90 barg)
Capacity	725 SCFH (20.5 m ³ /hr) to 1715 SCFH (24.79 m ³ /hr)

MATERIALS OF CONSTRUCTION

DESCRIPTION	MATERIAL
Body	Acetal
Diffuser Sleeve	Acetal
Spring	Stainless Steel
Float washer	Acetal
'O' Ring	Nitrile
Float	Acetal

TYPICAL APPLICATION

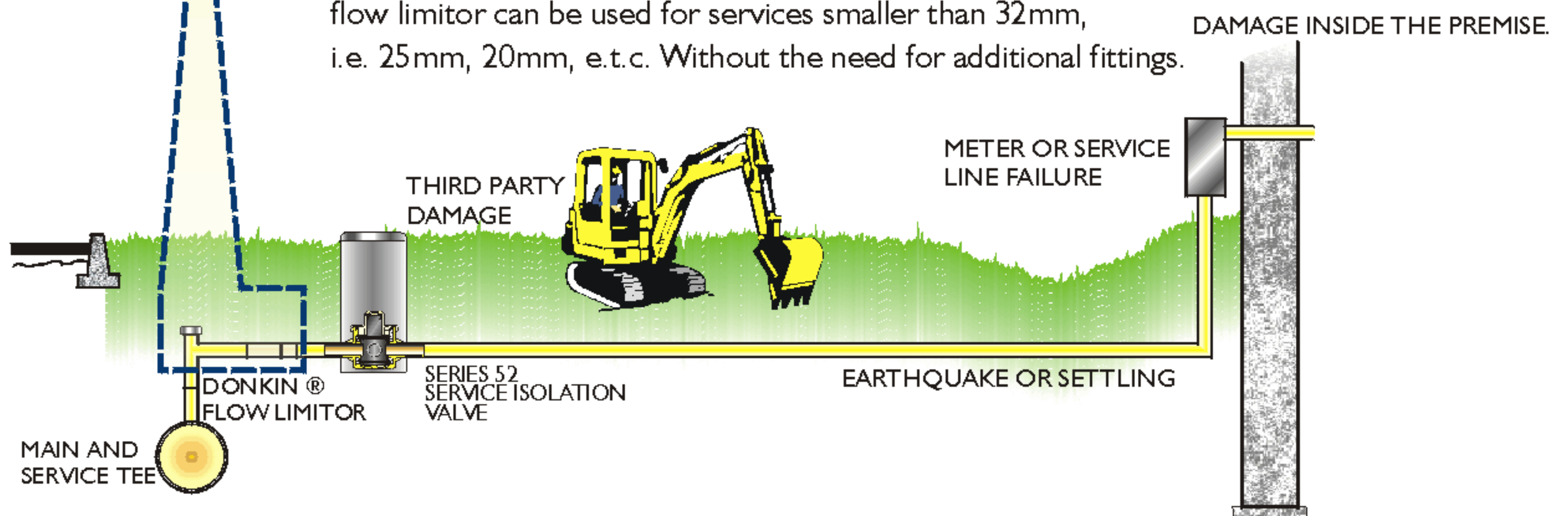


CAPACITIES

Inlet Pressure		Flow Prior to Trip		Max Bleed-by Flow After Trip	
PS.I.G.	BAR.G	S.C.F.H.	M ³ /Hr	S.C.F.H.	M ³ /Hr
10	0.69	725	20.64	20	0.57
20	1.38	909	25.75	25	0.71
30	2.07	1025	29.04	28	0.79
40	2.76	1122	31.78	32	0.91
60	4.14	1354	38.36	37	1.05
80	5.52	1548	43.83	41	1.16
100	6.90	1715	48.58	50	1.42

Figures based on gas 0.6SG nominal.

Through the use of a reducing electro-fusion coupler one size flow limiter can be used for services smaller than 32mm, i.e. 25mm, 20mm, e.t.c. Without the need for additional fittings.



**Donkin
VALVES**

DIVISIONAL OFFICE:

Donkin Valves,
Derby Road,
Chesterfield. S40 2EB.
Telephone: 01246 558707
Fax: 01246 558712

E-Mail: enquiries@donkinvalves.com

www.donkinvalves.com

**AQUA-GAS
AVK**

HEADQUARTERS:

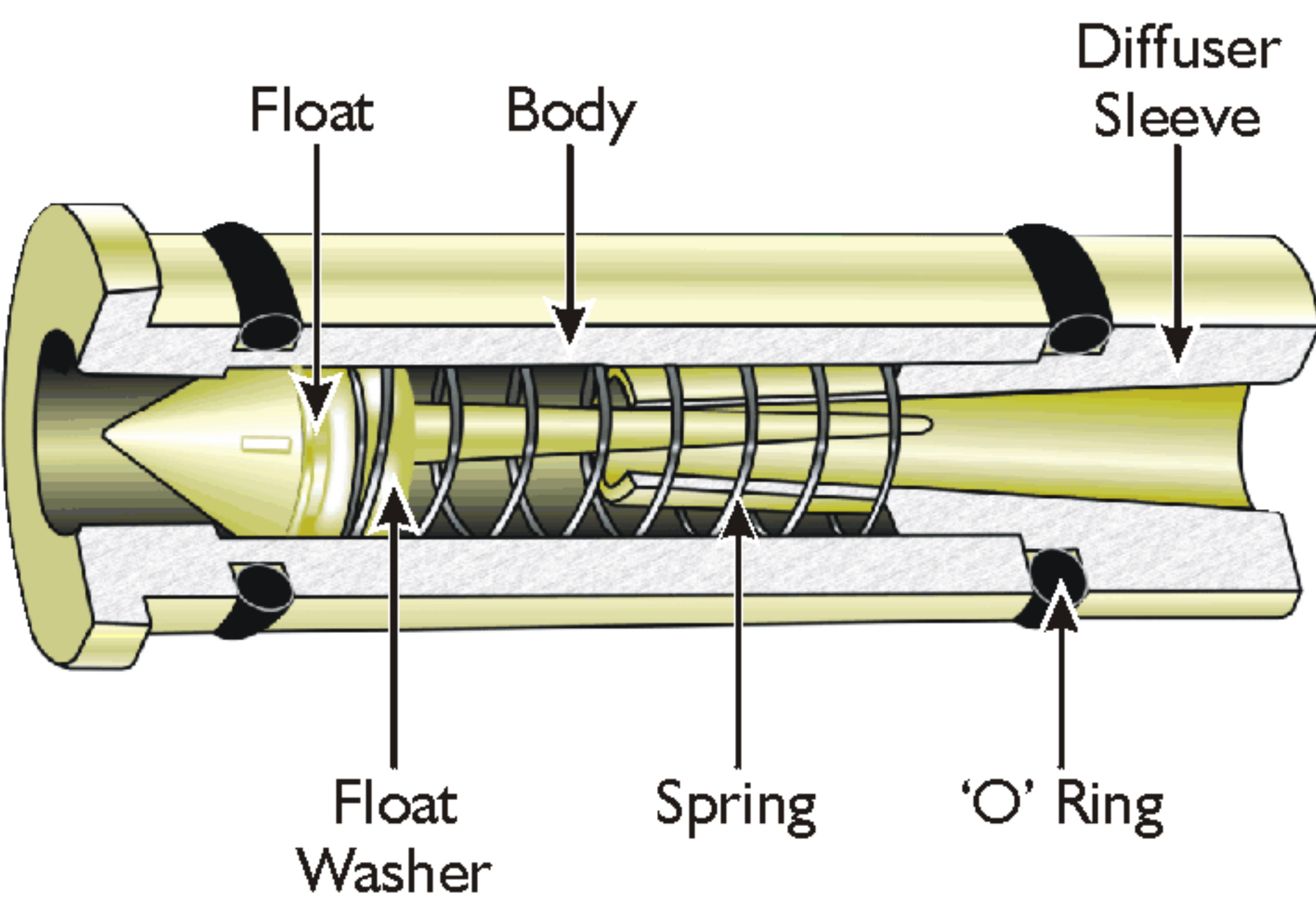
Aqua-Gas AVK Limited,
P.O. Box 143 • Rushmills
Northampton NN4 7ZU
Telephone: 01604 601188
Fax: 01604 604818

E-Mail: info@aquagasavk.co.uk

www.aquagasavk.co.uk

SPECIFICATIONS

SERIES 310 FLOW LIMITOR



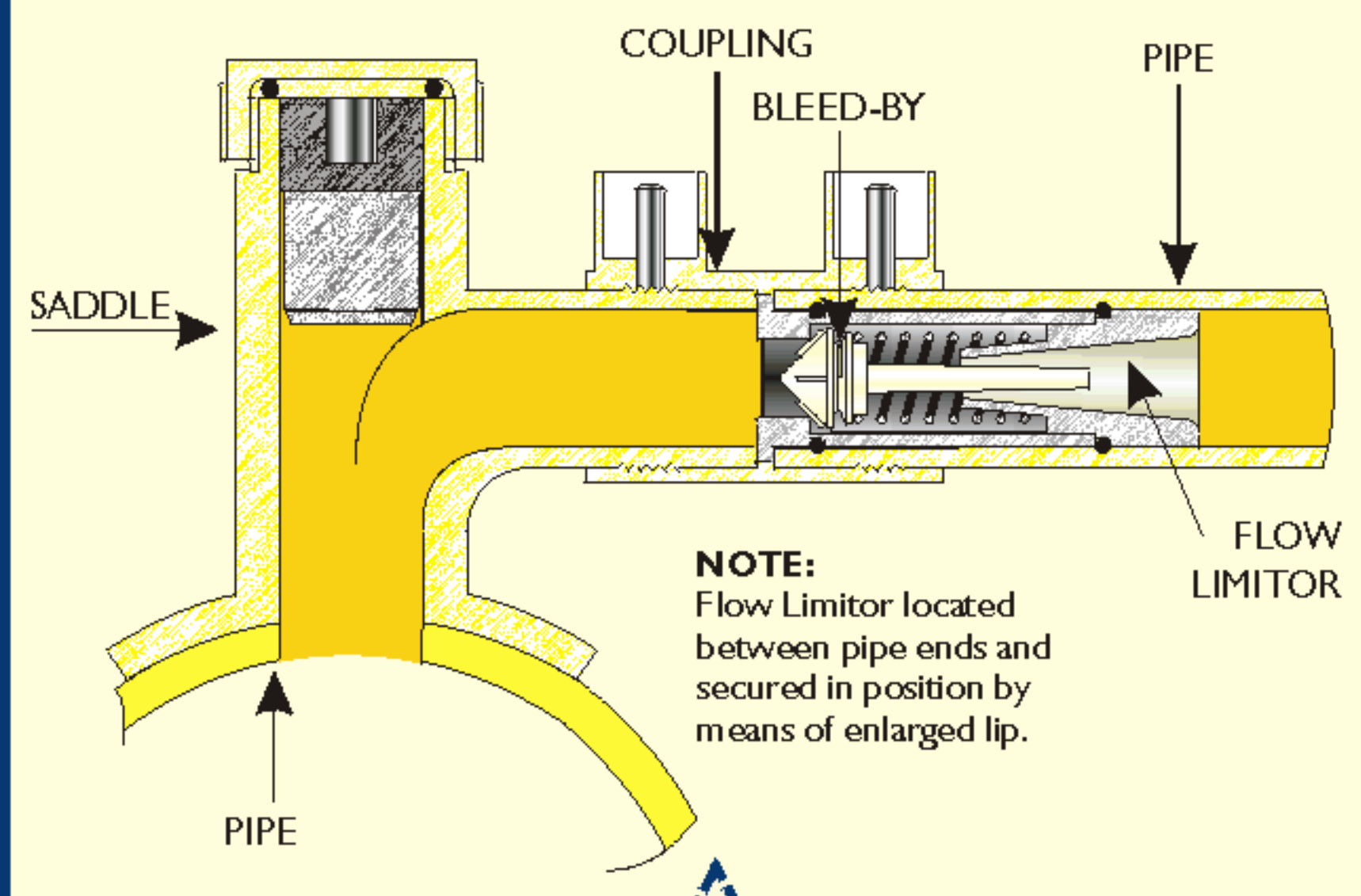
SERVICE CONDITIONS

Inlet Pressure	10 psig (0.69 barg) to 100 psig (6.90 barg)
Capacity	400 SCFH (11.33 m ³ /hr) to 875 SCFH (24.79 m ³ /hr)

MATERIALS OF CONSTRUCTION

DESCRIPTION	MATERIAL
Body	Acetal
Diffuser Sleeve	Acetal
Spring	Stainless Steel
Float washer	Acetal
'O' Ring	Nitrile
Float	Acetal

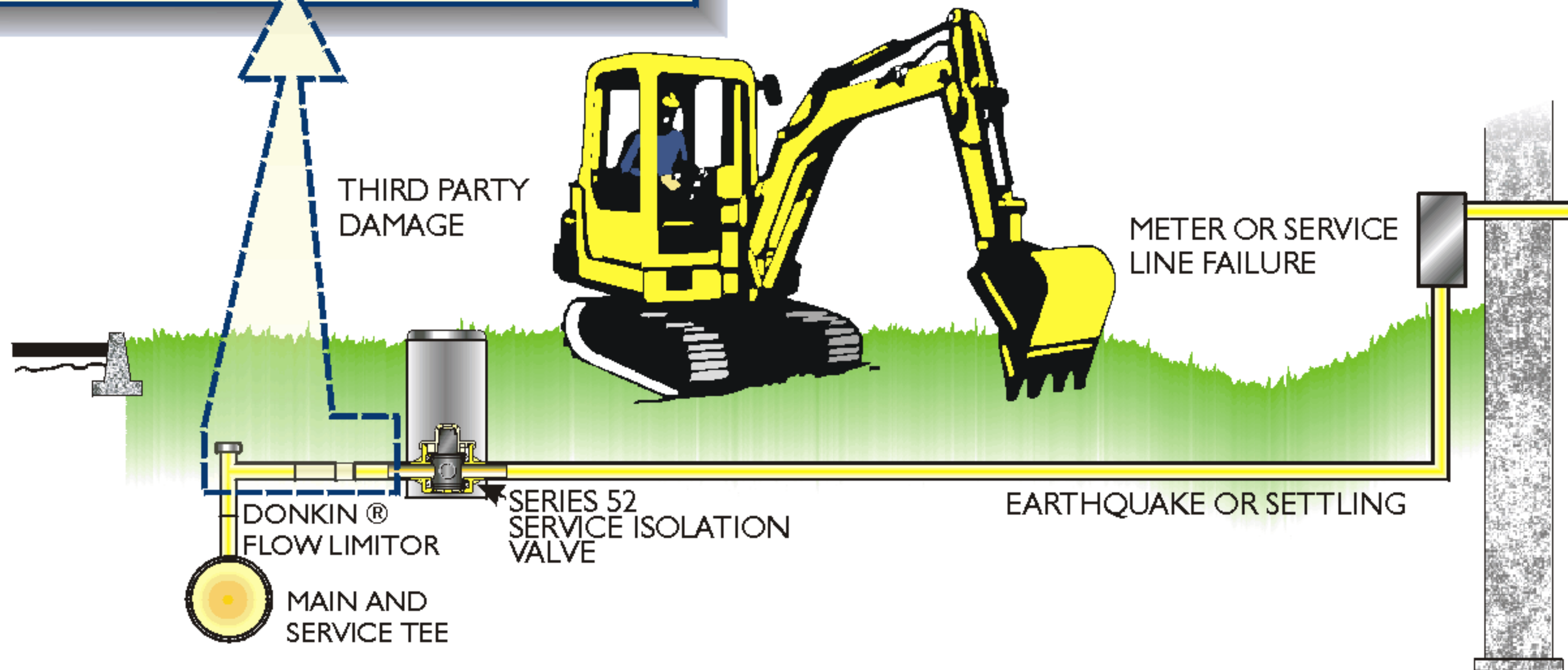
TYPICAL APPLICATION



CAPACITIES

Inlet Pressure		Flow Prior to Trip		Max Bleed-by Flow After Trip	
PS.I.G.	BAR.G	S.C.F.H.	M ³ /Hr	S.C.F.H.	M ³ /Hr
10	0.69	400	11.33	20	0.57
20	1.38	490	13.88	25	0.71
30	2.07	550	15.58	28	0.79
40	2.76	610	17.28	32	0.91
60	4.14	710	20.11	37	1.05
80	5.52	800	22.66	41	1.16
100	6.90	875	24.79	50	1.42

Figures based on gas 0.6SG nominal.



**Donkin
VALVES**

DIVISIONAL OFFICE:

Donkin Valves,
Derby Road,
Chesterfield. S40 2EB.
Telephone: 01 246 558707
Fax: 01 246 558712
E-Mail: enquiries@donkinvalves.com
www.donkinvalves.com

AQUA-GAS
AVK

HEADQUARTERS:

Aqua-Gas AVK Limited,
P.O. Box 143 • Rushmills
Northampton NN4 7ZU
Telephone: 01 604 • 601 188
Fax: 01 604 • 604 818
E-Mail: info@aquagasavk.co.uk
www.aquagasavk.co.uk